

REGUPONS - Pressure regulator

DESCRIPTION

In industrial environment, the fire networks are generally overpressured. They can reach 15 bar in continuous flow.

Moreover, water hammer are generated by the starting of the auxiliary pumps. In this case, it is dangerous to connect directly the pumps of the fire vehicles on the hydrants, because the maximum admissible pressure at the inlet of the pump has to be 6 bar.


On the other hand, the direct connexion of the fire hoses on these hydrants is a real danger for the operators.

The use of the pressure regulator **REGUPONS** is the right solution to insure the total safety of the operator.

The Regupons, what for? :

This product when connected to the outlet of the hydrant or inserted in a pipe, after a water supply, maintains automatically the selected pressure in a wide range of flow rates.

It is composed of the following elements :

- A body with swiveling AR 100 couplings (or any other couplings on request), at the inlet and outlet , which increase the stability of the whole element.
- A regulation adjustment device with flush and protection filter.
- Two pressure gauges : one before and the other one after the regulation system.
- A base with four foldable legs (to reduce the storage place).
- A transport handle.
- A notice.

CONSTRUCTION

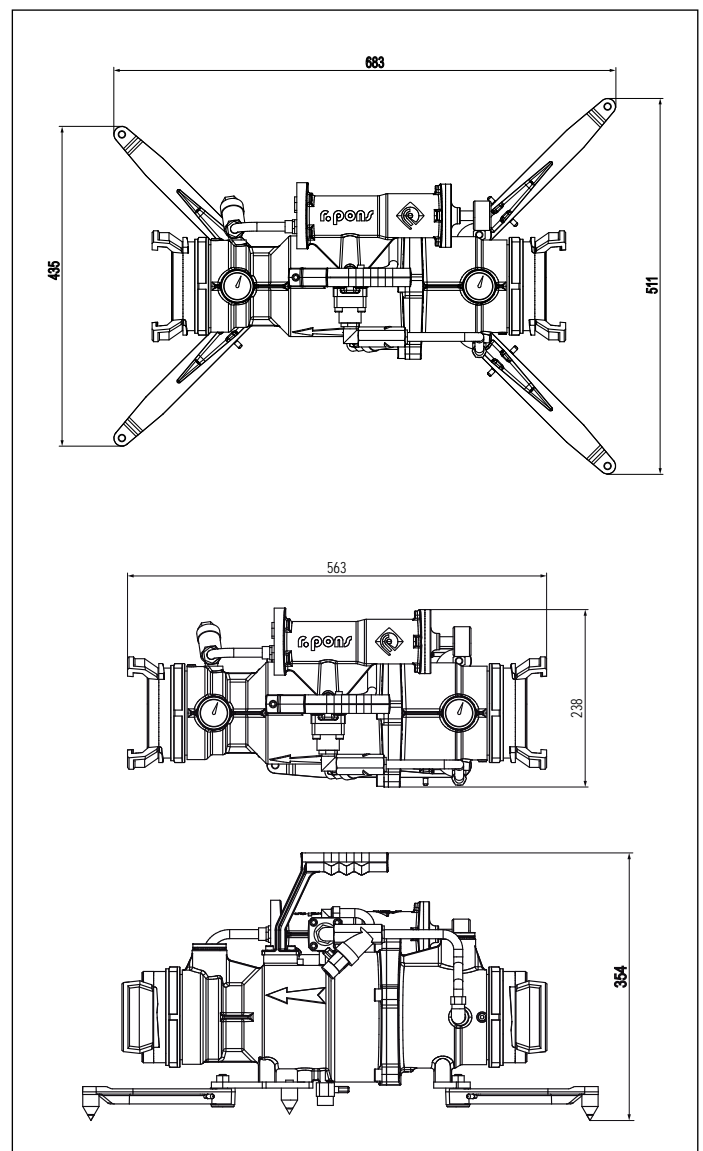
- Aluminum alloy, black hard anodizing finishing.
- Stainless steel.
- Anchorage spikes : tungsten carbide.

PERFORMANCES

- Adjustment of the pressure at the outlet, from 5 bar to 10 bar for a flow rate between 800 and 5000 l/min.
- Maximum pressure of service : 20 bar with temporary overpressure at 25 bar.

CHARACTERISTICS

- Inlet and outlet with swiveling AR100 couplings or any other coupling on request.
- Weight : 14kg.



REGUPONS - Pressure regulator

INSPECTION BEFORE OPERATION

Before connecting the regulator to a water network, check :

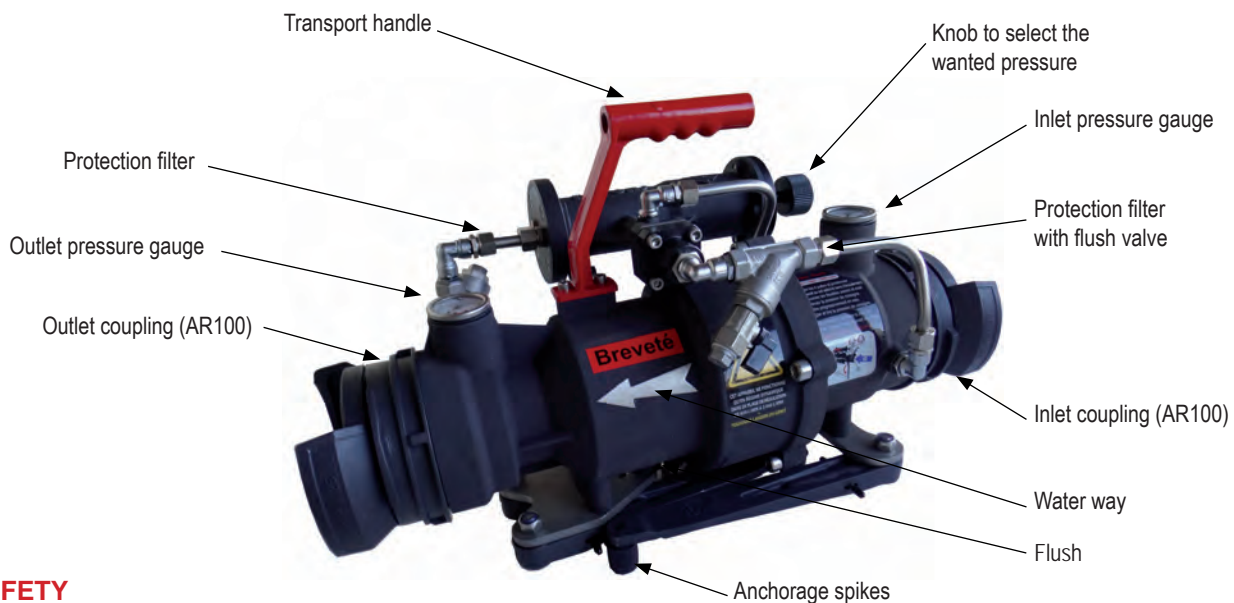
- The general condition of the regulator, of its couplings.
- That there is no missing nor damaged element.
- That no outside piece is obstructing the regulator.
- That the couplings parts are clean.
- The correct greasing of the coupling elements and the legs.
- The general condition of the anchorage spikes: to be replaced if too deteriorated.

To insure a long lasting and good operation conditions of the regulator :

- store it in a dry and frost-free room,
- do the correct maintenance (as explained below),
- that it is used at least once a month,
- **that it is only used with water.**



Before any operation, flush the water supply network in order to clean it from any impurities that could damage or obstruct the regulator.



SAFETY

- The operators of the **REGUPONS** have to receive a specific training before starting using the product.
- The instructions of use have to be known and followed.
- The restrictions of use written on the **REGUPONS** and on its data sheet have to be known and followed.

SETTING AND OPERATION

Before setting the regulator on the ground, check :

- That there is no electrical wire nor water hose in the area the regulator has to be installed, in order to avoid the anchorage cramps to damage them.
- That no uncontrolled movement of the regulator could injure people around nor damage some materials.

Installation

- Take off the protections from the anchorage spike.
- Unfold the legs of the regulator. Automatic locking of the legs on the open position.
- Put the regulator on the ground in order to get a maximum straight length on both sides of the regulator in order to insure the best stability.
- Check that the flush valve is correctly closed (**see picture 1**).
- Connect the hoses to each side of the regulator. Make sure that the water delivery is done on the right direction (as indicated on the product).
- Check the flush valve of the protection filter (**see picture 2**).

Opening the water supply

Open slowly the water supply so the hoses on both side of the regulator will get in place. The quick opening can be dangerous for the operators and their environment.

When the incoming pressure is less than 3 bar, there is a possibility that the regulator stays in the «closed» position. The flow rate at the outlet is not existing and the inlet side under pressure.

Picture 1



Picture 2



The non closure will create a disfunctioning of the regulation.



REGUPONS - Pressure regulator

OPERATION

The **REGUPONS** regulator is designed to regulate the pressure in range of flow rates between **800 to 5 000 l/min**. Out of this range, the regulation is becoming inaccurate and the degradation of the components is highly accelerated.

With a flow rate below 800 l/min, the whole of the line of hoses will received the pressure of the feeding point and can fluctuate.



**IT IS ESSENTIAL TO WORK ONLY IN THIS RANGE OF FLOW RATES.
THE NON COMPLIANCE OF THIS INSTRUCTION WILL GENERATE A SIGNIFICANT RISK.**

To increase the selected pressure, screw the pressure adjustment knob and to decrease it, unscrew the same knob. The wanted pressure is between **5 bar and 10 bar**.

In all cases, the pressure at the outlet of the regulator has to be less than the pressure at the inlet.

The regulation is not effective when the inlet pressure is less than 3 bar.

The cleaning of the filter can be done while the regulator is operating, by the opening of the flush valve (**Picture 3**). Make sure you close correctly the valve afterwards in order to avoid any disfunctioning.

After each use :

- Open the flush valve of the protection filter (**Picture 3**).
- Check that there is no residual pressure in the inlet part (controled at the inlet pressure gauge). If there is some, then open the valve below until it disappeared (**Picture 4**).
- Disconnect the supply hoses.
- Lift the product forward to drain all the water (**Picture 5**).
- Make sure that the flush of the regulator has been done, draining the water out (**Picture 6**).
- Unlock the legs and fold them. Start with the most central legs.
- Put the protection back on the anchorage spikes.

Regular maintenance :

- Open the two filters with a 21 open-end spanner and clean the strainer with clean water (the cleaning frequency depends on the impurity level of the water).
- Open the protection filter equipped with the flush valve (**Picture 7**).
- Open the second protection filter (**Picture 8**).
- After cleaning, put the strainer back in its place and close the filters with a 21 open-end spanner.

Picture 3



Picture 4



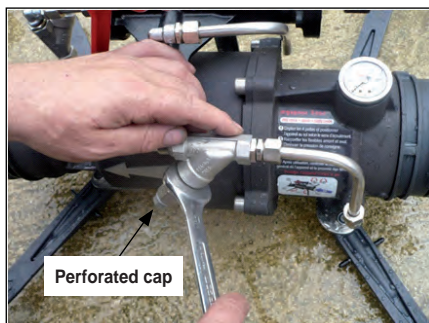
Picture 5



Picture 6



Picture 7



Picture 8

